



### P-Cab™ Powered Speakers

# PCS-15

## Two-Way Powered Speakers

### *Congratulations!*

You have just purchased one of the finest powered speakers on the market today. The P-Cab Series™ was developed using the expertise of professional sound engineers and working musicians. You will find your new NADY AUDIO powered speaker has superior performance and greater flexibility than any other powered speaker in its price range.

We recommend that you read this instruction sheet carefully to get the most out of your new unit. Thanks for selecting NADY AUDIO and the PCS-15 as your choice in powered speakers.

**Powerful 2-way active speakers with superior performance, state-of-the-art versatile design, unprecedented affordability, and perfect for all small venue application.**

### FEATURES AND SPECIFICATIONS

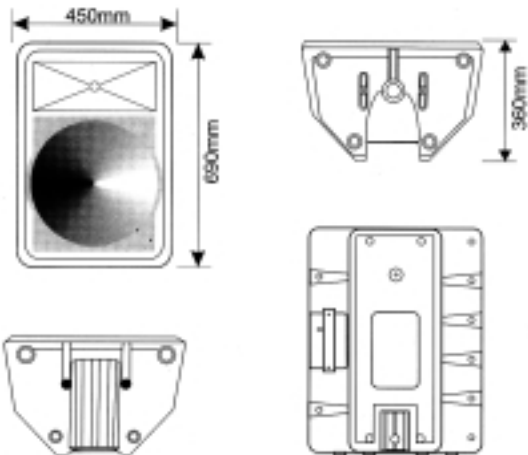
- Full-range, 2-way 250W RMS powered speaker (bi-amped) with 15" woofer, titanium horn
- Durable yet lightweight molded high-impact, mineral-loaded polypropylene trapezoid speaker enclosures, designed to deflect bumps and scrapes and perfectly balanced for ease of portability and set-up; built-in handles for carrying
- Ultimate flexible design-flyable, stackable, pole mountable, or can be used as a floor monitor when laid on its side with supplied brace mounts
- Internal power system delivers 200W RMS to the woofer, 50W RMS to the horn and provides high quality audio performance more efficiently than conventional power amplifiers with passive speakers
- Easy to use built-in pre-amplifier with XLR and 1/4" balanced Mic/Line inputs; gain, treble, mid range, bass and level controls; and Signal indicators
- Fused IEC power cord jack and 115V(60Hz) / 230V(50Hz) Select switch.
- Full top-end speaker features, including low impedance electronically compensated crossover (1/36 octave, 1500Hz) with full driver protection (pre-circuit limiter), wide-angle, short throw, high-frequency dispersion horn (90°H x 60°V) with 1.5" diameter precision constant directivity titanium compression driver, 40Hz to 20KHz frequency response (-10dB), high SPL output capability (125dB @1M), and ultra low distortion (<0.02%)
- Response: 40-20KHz
- 8Ω impedance
- Sensitivity (1W/1M): 91dB
- Weight: 52.2 lbs (23.68 Kg)
- Dimensions (WDH): 17.3" x 26.6" x 13.6" (43.9 cm x 67.6 cm x 34.5 cm)
- Optional padded zippered vinyl carrying case available

### WARNINGS IMPORTANT SAFETY INSTRUCTIONS

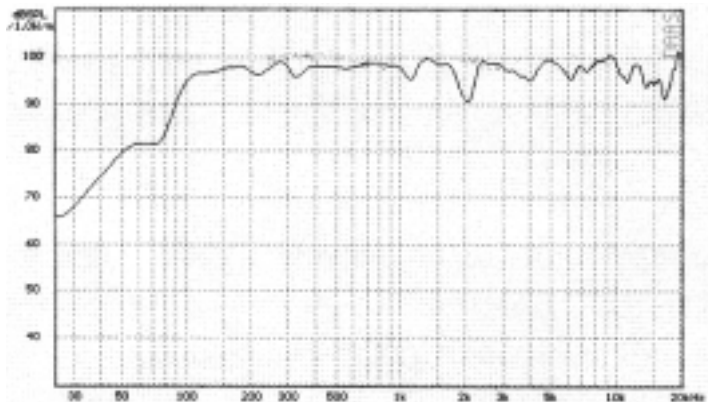
When using this speaker, basic precautions should always be taken, including the following:

- Read all instructions before using the product.
- This product may be capable of producing sound levels that could cause permanent hearing loss. Do not operate for a long period of time at a high volume level or at a level that is uncomfortable. If you experience any hearing loss or ringing in the ears, you should consult an audiologist.
- To avoid damage to the drivers, never overload the speaker.
- To avoid the risk of fire, do not ever expose the speaker to a source of naked flames. Also, it should be located away from heat sources such as radiators, heat vents, or other devices (including amplifiers) that produce heat.
- The product should be positioned so that proper ventilation is maintained.
- This speaker is designed for indoor use only. Do not expose to weather or high humidity, rain, etc.
- Care should be taken so that objects do not fall into, and liquids are not spilled through, the enclosure's openings. Do not place containers of liquids on the speaker.
- Don't place any heavy appliance or object (>130lbs/60kg) on the speaker enclosure.
- This unit is to be installed by qualified personnel only.
- This speaker is only to be used with power amplifiers complying with the safety requirement of EN or IEC60065.
- This product should be serviced by qualified service personnel if:
  - A. Objects have fallen into, or liquid has been spilled onto the product.
  - B. The product has been exposed to rain.
  - C. The product does not appear to operate normally or exhibits a marked change in performance.
  - D. The product has been dropped, or the enclosure damaged.
- Do not attempt to service this unit. All servicing should be referred to qualified service personnel.

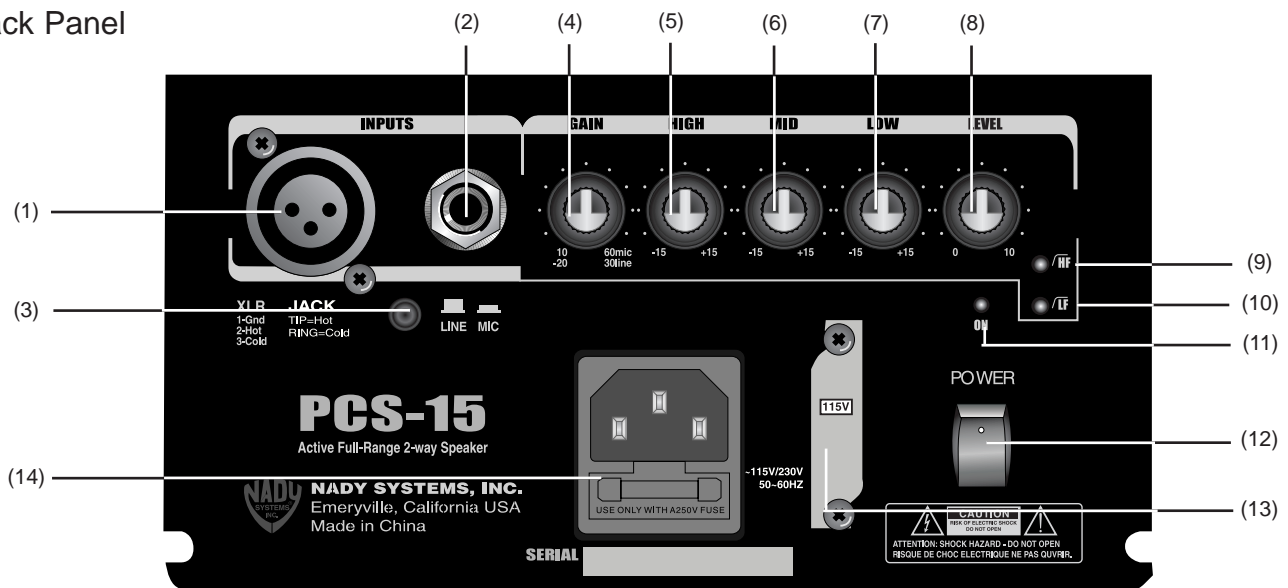
# SPECIFICATIONS TECHNICAL DATA



## Frequency Response Analysis



## Back Panel



- (1) XLR BALANCED INPUT
- (2) 1/4" (6.3mm) BALANCED/UNBALANCED INPUT  
Tip = hot, Ring = cold, Sleeve = ground.
- (3) MIC/LINE INPUT PAD  
This button sets the gain range of the GAIN control. For microphone applications, where more level is needed, push the button in.
- (4) GAIN CONTROL  
This controls the input level.
- (5) HIGH EQ
- (6) MIDRANGE EQ
- (7) LOW EQ
- (8) LEVEL CONTROL  
Overall output level of the PCS-15

- (9) HIGH FREQUENCY SIGNAL LED
- (10) LOW FREQUENCY SIGNAL LED
- (11) ON/OFF INDICATOR
- (12) POWER ON/OFF SWITCH
- (13) AC SELECTOR SWITCH  
Before plugging in the power cord, check to see that this switch is set to the proper voltage for your area:  
~115V (60Hz) or ~230V (50Hz).
- (14) AC POWER CORD IEC CONNECTOR w/ INTERNAL FUSE HOLDER  
Connects to the AC power cable.  
Fuse: 115VAC ~ 5A 250V 20mm glass tube  
230VAC ~ 3A 250V 20mm glass tube

## SERVICE FOR YOUR NADY AUDIO PRODUCT

**(U.S.)** Should your NADY AUDIO product require service, please contact the Nady Service Department via telephone at (510) 652-2411 or e-mail at [service@nady.com](mailto:service@nady.com).

**(International)** For service, please contact the NADY AUDIO distributor in your country through the dealer from whom you purchased this product.



NADY SYSTEMS, INC. • 6701 SHELLMOUND STREET, EMERYVILLE, CA 94608  
Tel: 510.652.2411 • Fax: 510.652.5075 • [www.nady.com](http://www.nady.com)